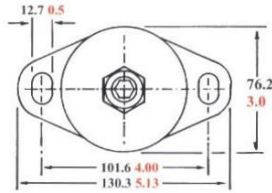
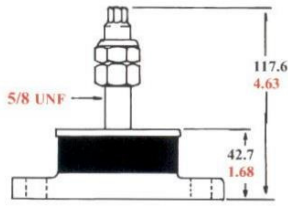


Compression Mountings



R & D MARINE COMPRESSION MOUNTING

This is a low height mounting with minimum deflection

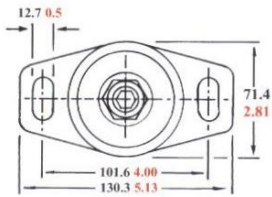
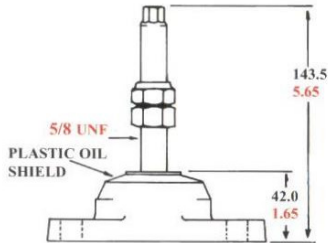
5/8 Stud

Part No	Capacity per mount	
	kg	lbs
800-003	45-82	100-180
800-004	73-168	160-370
800-005	145-227	320-500

Mount Pre-loaded 1.5mm 0.06 inch

Deflection 2.3mm 0.09 inch

Height adjusting nut thickness 14mm 0.55 inch



R & D MARINE COMPRESSION MOUNTING

This mounting is a competitive, low height medium capacity mount giving good engine control

5/8 Stud

Part No	Capacity per mount	
	kg	lbs
800-033	86	190
800-036	136	300

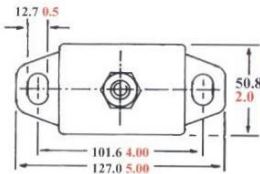
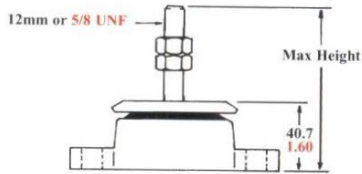
Deflection 1.65mm 0.065 inch

Height adjusting nut thickness 14mm 0.55 inch

Units of measurement: Black Millimetres Red Inches

Rectangular Shear Mountings

The R & D Rectangular Shear Mountings offer low height with the best combination of stiffness. Soft vertically and at right angles to the crankshaft to isolate vibration, stiff fore and aft to take the propeller thrust.



R & D MARINE SMALL SHEAR LOADED MOUNTING

This mounting has a low height giving good vibration isolation

12mm Stud

5/8 Stud

Part No	Capacity per mount		Part No	Capacity per mount	
	kg	lbs		kg	lbs
800-038	14-41	30-90	800-040	14-42	30-91
800-039	32-91	70-200	800-041	32-92	70-201

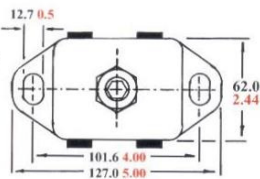
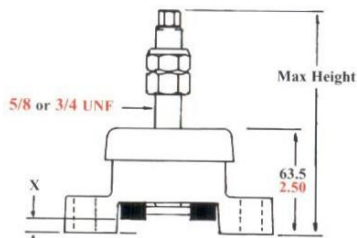
Mount Pre-loaded 1.8mm 0.07 inch

Deflection 1.8-3.4mm 0.07-0.14 inch

Height adjusting

nut thickness : 10mm 0.39 inch | 14mm 0.55 inch

Maximum height: 99mm 3.9 inch | 116mm 4.57 inch



R & D MARINE SHEAR LOADED "SUPER MOUNTS"

Fitted with an oil shield to protect the rubber

5/8 Stud

3/4 Stud

Part No	Capacity per mount		Part No	Capacity per mount	
	kg	lbs		kg	lbs
800-037	14-41	50-175	800-020	36-106	80-231
800-010	36-105	80-230	800-021	55-187	120-411
800-011	55-186	120-410	800-022	114-256	250-561
800-012	114-255	250-560	800-023	136-310	300-681
800-014	136-309	300-680			

Mount Pre-loaded 2.3mm 0.09 inch

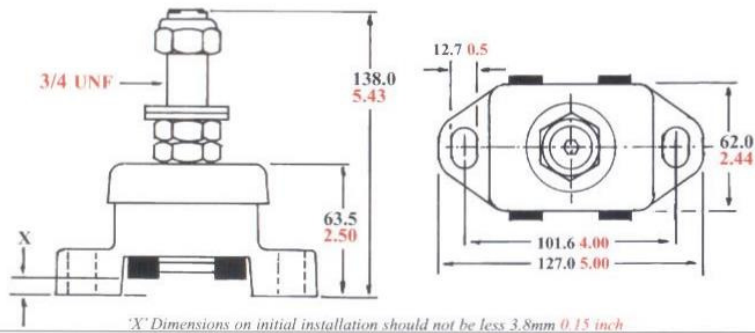
Deflection 2.3-5.4mm 0.09-0.21 inch

Height adjusting

nut thickness : 14mm 0.55 inch | 11mm 0.43 inch

Maximum height: 137mm 5.38 inch | 165mm 6.5 inch

*X' Dimensions on initial installation should not be less 3.8mm 0.15 inch



'X' Dimensions on initial installation should not be less 3.8mm 0.15 inch

R & D MARINE SHEAR LOADED "SUPER MOUNTS"

Fitted with an oil shield to protect the rubber

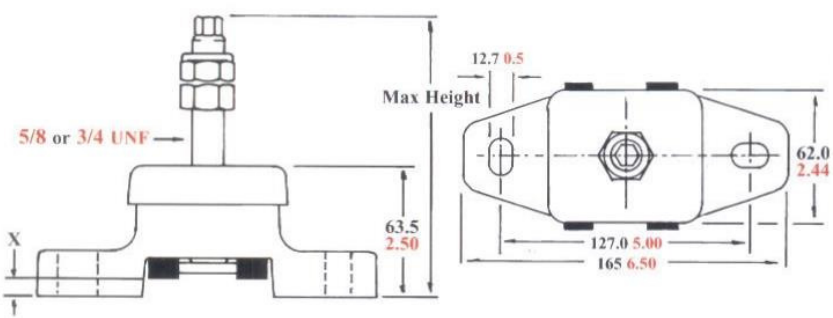
3/4 Stud

Part No	Capacity per mount	
	kg	lbs
800-051	36-108	80-235
800-052	55-187	120-415
800-053	114-257	250-565
800-054	136-311	300-685

Mount Pre-loaded 2.3mm 0.09 inch

Deflection 2.3-5.4mm 0.09-0.21 inch

Height adjusting double nut and washer thickness 25mm 0.97 inch



'X' Dimensions on initial installation should not be less 3.8mm 0.15 inch

R & D MARINE SHEAR LOADED "SUPER MOUNTS"

Fitted with an oil shield to protect the rubber

5/8 Stud

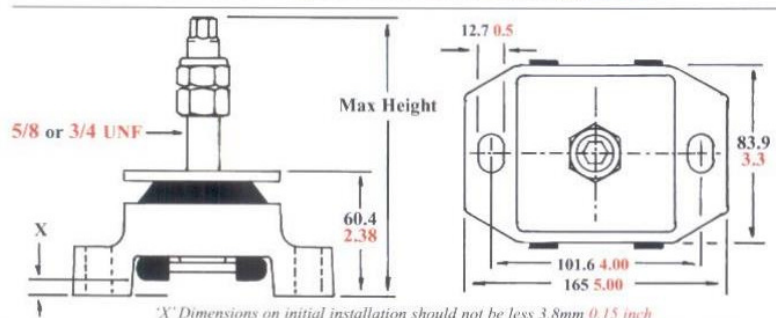
3/4 Stud

Part No	Capacity per mount		Part No	Capacity per mount	
	kg	lbs		kg	lbs
800-024	36-106	80-232	800-028	36-107	80-233
800-025	55-187	120-412	800-029	55-188	120-413
800-026	114-256	250-562	800-030	114-257	250-563
800-027	136-310	300-682	800-031	136-311	300-683

Mount Pre-loaded 2.3mm 0.09 inch

Deflection 2.3-5.4mm 0.09-0.21 inch

Height adjusting nut thickness: 14mm 0.55 inch | 11mm 0.43 inch
Maximum height: 137mm 5.38 inch | 165mm 6.5 inch



'X' Dimensions on initial installation should not be less 3.8mm 0.15 inch

R & D MARINE SHEAR LOADED "SUPER MOUNTS"

Fitted with an oil shield to protect the rubber

5/8 Stud

3/4 Stud

Part No	Capacity per mount		Part No	Capacity per mount	
	kg	lbs		kg	lbs
800-013	155-345	340-760	800-035	155-346	340-761

Mount Pre-loaded 2.3mm 0.09 inch

Deflection 2.3-4.8mm 0.09-0.19 inch

Height adjusting nut thickness: 14mm 0.55 inch | 11mm 0.43 inch
Maximum height: 137mm 5.38 inch | 152mm 6.0 inch

Units of measurement: Black Millimetres Red Inches